

Directions for Installing and Using Spa Cover Remover models: **Glider Pro E-Z Glide Glide-Away Cover Lifter**

Some
Assembly
Required

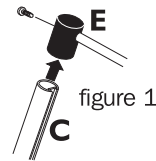
U.S. Patent #6,000,072

other Patents applied for

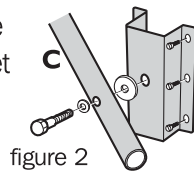
Cdn. Patent App #2,282,012

TO INSTALL THE SPA COVER REMOVER:

1. Attach each side bar (**Bar C**) into **Dowel (E)** using a 3/4" self-tapping screw.



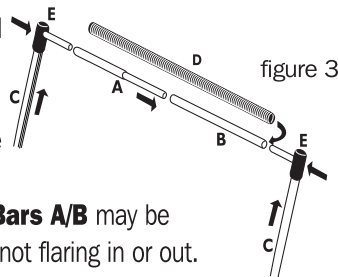
2. Attach each side bar (**Bar C**) to a bracket using the bolt, the small washer and the larger black washer. Attach each bracket to the side of the spa, using six 1-1/4" screws.



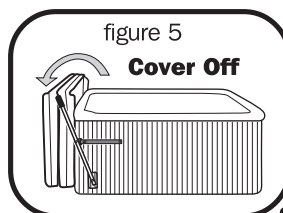
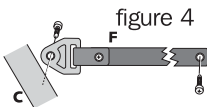
3. Slide **Bar A** into **Bar B**.

4. Make sure that the combined width of **Bars A/B** is long enough so each side bar (**Bar C**) is parallel to the side of the spa when attached.

If an adjustment is needed, **Bars A/B** may be cut so that the side bars are not flaring in or out. Trim the **Sleeve (D)** to the same length as combined **Bars A/B**. Remove one **Bar C** from the sleeve, attach **Bars A/B** to it, slide the **Sleeve (D)** over **Bars A/B** and reinsert **Bar C**.



5. Attach the **Snappi Strap (F)** to **Bar C** using a self-tapping strap 3/4" screw (figure 4). NOTE: this strap should run parallel to the top of the spa surround (figure 5). With the spa cover in the OFF position, attach the other end of the strap with a 1-1/4" screw and upholstery washer to the spa skirt. This strap should hold the Spa Cover Remover firmly against the side of the spa. This will supply tension to the cover remover, making it much easier to put your spa cover back on the spa. Readjustment of the strap may be required over time and use.



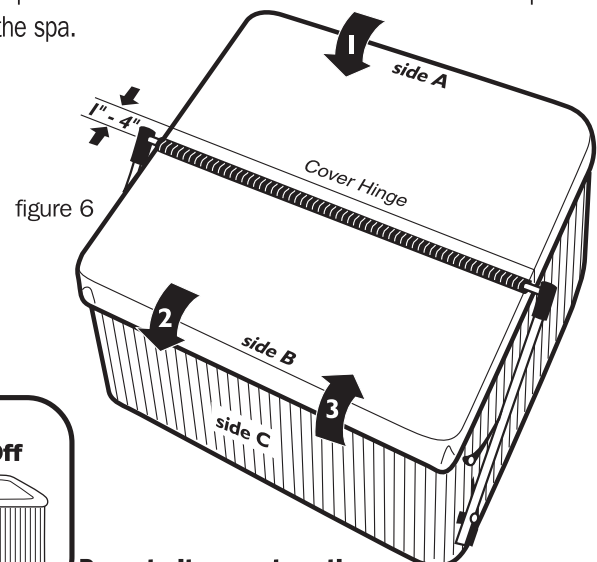
TO USE THE SPA COVER REMOVER:

TO MOVE THE SPA COVER OFF:

1. With the Cover Remover in place, flip cover **Side A** (refer to figure 6 below) in the direction of Arrow 1 so that **Side A** flips over the bar of the Cover Remover onto the top of **Side B**.
2. Stand facing **Side C** of the skirt and pull the cover toward you and downward, in the direction of Arrow 2. The cover should easily be pulled down to the resting position along-side the skirt, as shown in figure 5 below.
Do not try to pull down from the side and do not 'drop' the cover as cover damage may result.
The cover can be easily moved off and on from within the spa.

TO MOVE THE SPA COVER BACK ON:

1. Stand facing **Side C** of the skirt and push the cover away from you and upward, in the direction of Arrow 3. The folded cover should move easily onto the top of the spa.
Do not try to push from the side.
You can easily pull the cover back on when you stand inside the spa.
2. Flip **Side A** of the cover over the bar and onto the top of the spa.



Do not sit or rest on the spa cover when it is in the open position!


ABC Spa Cover
Removal Co. Ltd.

tel: (604) 856-0275
fax: (604) 556-0244
www.spacoverremover.ca